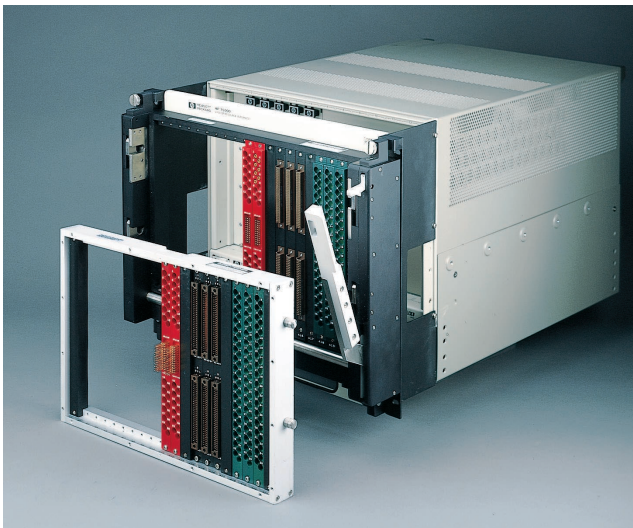
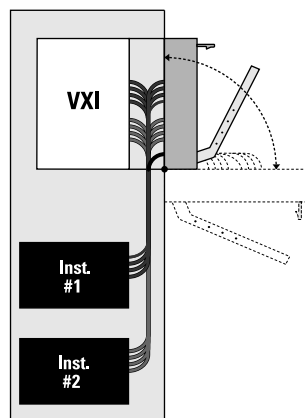

Hinged ICA, High Density (21 Slots) HP E3722A Technical Specifications

- 21 connector slots, up to 4,032 pins
- Easy wiring from places other than VXI mainframe
- Power connections to 250 Vac, 30 A per pin
- Mounts onto the HP E1401A/B C-size mainframe
- Connector blocks/cables for ICA and ITA



HP E3722A



Description

The HP E3722A Hinged Interface Connector Assembly (H/ICA) provides connections to and from the VXI and other measurement equipment. It mounts directly onto the HP E1401A/B C-size mainframes and mates them to the HP 9421A interface test adapter (ITA). For information on using the HP E3722A with the HP E84XX series mainframes, contact your HP Sales Representative.

The HP E3722A Hinged Interface Connector Assembly (H/ICA) is used under the following conditions: 1) the majority of ICA connections are wired directly to VXI plug-in modules in a single VXI mainframe; 2) up to 4,032 general purpose pins and 250 Vac, 30 A per pin are required; 3) wiring is flexible enough to bend when the fixture is closed; and 4) reduced access and visibility to VXI plug-in modules are acceptable.

The Interface Test Adapter (ITA) provides connections to/from the Unit Under Test (UUT). The HP 9421A Interface Test Adapter (ITA) module mates with the HP E3722A ICA for quick and easy connections. A custom UUT interface may be built onto the ITA.

Additionally, general purpose connector blocks/cable assemblies (HP 914XX, HP 915XX series), coaxial connector blocks/cable assemblies (HP 914XX series), power connector blocks/cable assemblies (HP 914XX series), and special purpose connector blocks/cable assemblies are available for use with the HP E3722A product.



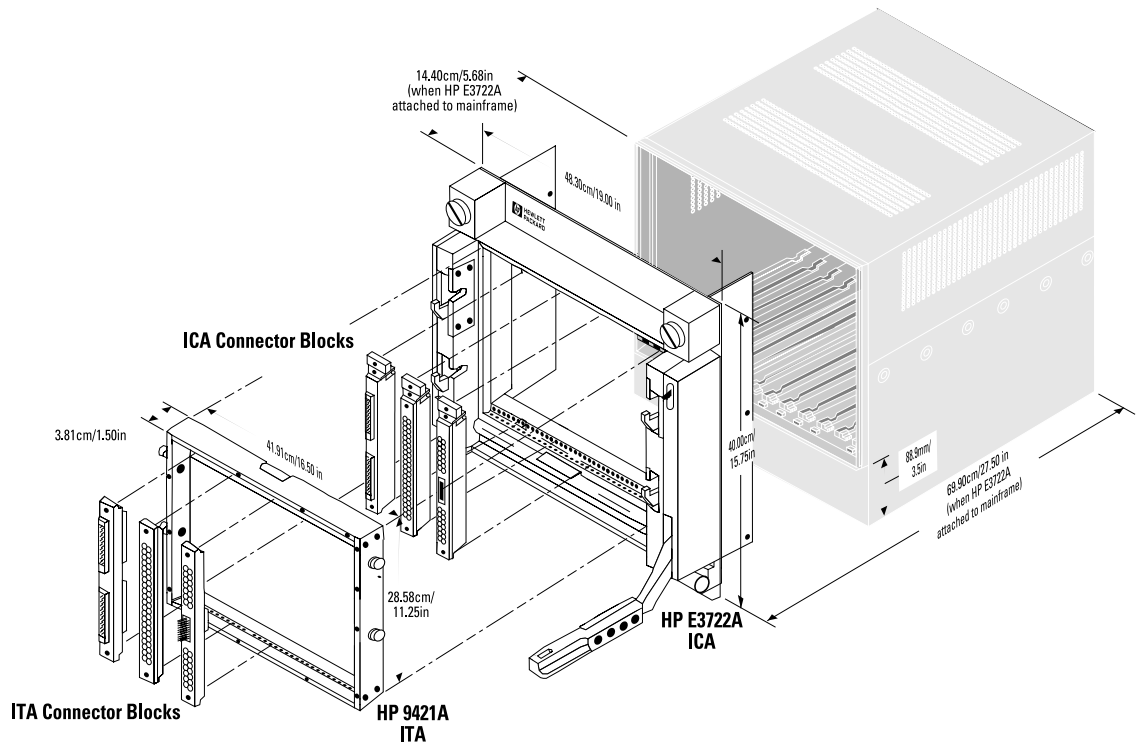
HP E3722A Hinged Interface

Product Specifications

Height:	40.00 cm (15.75 in)
Width:	48.30 cm (19.00 in)
Depth:	79.20 cm (31.2 in) including mainframe with rear feet
Connector slots:	21
General purpose pins:	Up to 4,032
Power connections:	To 250 Vac, 30 A per pin
Mounts:	HP E1401A/B C-size mainframe, directly

Ordering Information

Description	Product No.
Hinged interface connector assembly	HP E3722A
Note: See "Connector and Cabling Accessories for Mass Interconnect Products" for ordering information on related accessories.	



Related Literature

1998 Test System and VXI Products Data Book,
HP Pub. No. 5966-2812E

1999 Test System and VXI Products Catalog,
HP Pub. No. 5968-3698

Warranty

Standard Hewlett-Packard VXIbus hardware products are warranted against defects in materials and workmanship for a period of three years unless otherwise noted. HP software and firmware products that are designated by HP for use with a hardware product, when properly installed on that hardware product, are warranted not to fail to execute their programming instructions due to defects in materials and workmanship.

For a complete and detailed warranty statement please see the *HP Test System and VXI Products Data Book* or visit the HP Website at <http://www.hp.com/go/vxi>.

Website Directory

HP VXI Product Information
<http://www.hp.com/go/vxi>

HP VXI Channel Partners
<http://www.hp.com/go/vxichanpart>

HP VEE Application Website
<http://www.hp.com/go/hpvee>

Data Acquisition and Control Website
http://www.hp.com/go/data_acq

HP Instrument Driver Downloads
http://www.hp.com/go/inst_drivers

Electronics Manufacturing Test Solutions
<http://www.hp.com/go/manufacturing>

For more information about Hewlett-Packard test & measurement products, applications, services, and for a current sales office listing, visit our website, <http://www.hp.com/go/tmdir>. You can also contact one of the following centers and ask for a test & measurement sales representative.

United States:

Hewlett-Packard Company
Test and Measurement Call Center
P.O. Box 4026
Englewood, CO 80155-4026
1 800 452 4844

Canada:

Hewlett-Packard Canada Ltd.
5150 Spectrum Way
Mississauga, Ontario L4W 5G1
(905) 206 4725

Europe:

Hewlett-Packard
European Marketing Centre
P.O. Box 999
1180 AZ Amstelveen
The Netherlands
(31 20) 547 9900

Japan:

Hewlett-Packard Japan Ltd.
Measurement Assistance Center
9-1, Takakura-Cho, Hachioji-Shi,
Tokyo 192, Japan
Tel: (81) 426 56 7832
Fax: (81) 426 56 7840

Latin America:

Hewlett-Packard
Latin American Region Headquarters
5200 Blue Lagoon Drive, 9th Floor
Miami, Florida 33126
U.S.A.
Tel: (305) 267-4245
(305) 267-4220
Fax: (305) 267-4288

Australia/New Zealand:

Hewlett-Packard Australia Ltd.
31-41 Joseph Street
Blackburn, Victoria 3130
Australia
1 800 629 485

Asia Pacific:

Hewlett-Packard Asia Pacific Ltd.
17-21/F Shell Tower, Times Square,
1 Matheson Street, Causeway Bay,
Hong Kong
Tel: (852) 2599 7777
Fax: (852) 2506 9285

Data Subject to Change
Copyright © April 1999
Hewlett-Packard Company
HP Publication No.: 5965-5579E